

## Features

- Wide Operating Wavelength & Temperature Range
- Low Insertion Loss & High Isolation
- Ultra Low PDL & PMD
- Epoxy-Free in Optical Path
- Exceptional reliability and stability



## Applications

- Isolator
- WDIH

## Product Description

Primanex polarization independent isolator core has minimum back reflection and back scattering in the reverse direction for any state of polarization. It provides a low cost solution with excellent performances including low insertion loss, high isolation and return loss, low polarization dependent loss (PDL) and low polarization mode dispersion (PMD). This product's excellent characteristics make it highly suitable for isolator and WDIH applications.

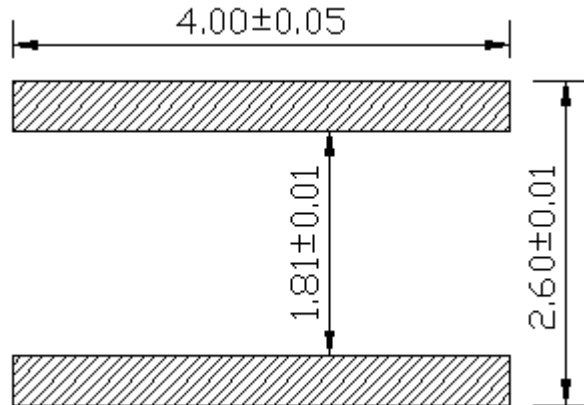
## Specifications

Item	Unit	Parameters		Notes
		Single Stage	Dual Stage	
Working Center Wavelength	nm	1310/1550		Other wavelength optional
Operating Band Width	nm	+/- 15	+/- 20	Wider operating band width available upon request
Isolation (@23 °C)	dB	≥ 30	≥ 48	
Insertion Loss (@23 °C)	dB	≤ 0.12	≤ 0.25	
PDL	dB	≤ 0.05	≤ 0.05	
PMD(Standard)	ps	≤ 0.25	≤ 0.05	
PMD(PMD Free)	ps	≤ 0.05	--	
Maximum Optical Power	mW	500		
Storage Temperature	°C	-40 ~ 85		
Dimension	mm	φ1.81 × φ2.60 × L4.0		Other dimension optional

\*. All the specifications are based on the devices without connectors, and guaranteed over wavelength, polarization and temperature.

\*\* Specifications are subject to change without notice.

## Dimensions Drawing (Unit: mm)



## Ordering Information (Example: CORE1-12111)

**CORE 1** -

Wavelength	PMD	Core Type	Clear Aperture	Dimensions
1. 1550nm	1. Standard	1. Single Stage	1. 0.9mm	1. Standard
2. 1310nm	2. PMD Free	2. Dual Stage	2. 0.7mm	2. Others
3. Others			3.Others	

All statements, technical information and recommendations related to the products herein are based upon information believed to be reliable or accurate. However, the accuracy or completeness thereof is not guaranteed, and no responsibility is assumed for any inaccuracies. The user assumes all risks and liability whatsoever in connection with the use of a product or its application. Primanex reserves the right to change at any time without notices the design, specifications, function, fit or form of its products described herein, including withdrawal at any time of a product offered for sale herein. Primanex makes no representations that the products herein are free from any intellectual property claims of others. Please contact Primanex for more information. Primanex and the Primanex logo are trademarks of Primanex Corporation. Other trademarks are the property of their respective holders.